

visit our new website



[www.clarkmedical.com](http://www.clarkmedical.com)

We are excited about the launch of our new interactive website. This new site is designed to fulfill all the information needs of the Health Care Professional, DME/HME Dealer, and Consumer.

Consumers can browse our site for product features and benefits, view 3-D images of our lift products, configure a custom lift product, obtain MSRP pricing, view testimonials, view FAQ's, locate a Dealer, link to related sites, information on government assistance programs, and a host of documentation that can be downloaded in PDF format. They can also register with us to receive news on new products and featured products.

Health Care Professionals will have all the Consumer features, plus the added functions of accessing medical letters, product specifications and drawings.

DME/HME Dealers will have all of the above features, plus Ecommerce functionality including online ordering, view order status, Dealer pricing, get account balances, view open items, and pay their account.

Clark Medical Products Inc.  
5510 Ambler Drive, Unit 10  
Mississauga, Ontario L4W 2V1

Tel: 905.238.6163  
1-800-889-5295  
Fax: 905.624.3161

info@clarkmedical.com  
www.clarkmedical.com

**HOME  
Health Care  
PRODUCTS**



**We Provide the LIFT in Your Life...**



## What's Inside

### BATHROOM SAFETY

Featured Products

#### PAPI-LIFT®

Power Operated  
Commode

#### VALETTE®

Water Powered Toilet Lift

#### CLARK BATH LIFT

#### POOL & TUB LIFTS

#### SHOWER ACCESSORIES

Personal Hand Held  
Shower Heads &  
Bathroom Accessories

#### ELEVATING OFFICE CHAIR

#### THERADAPT® PRODUCTS

Clark Medical Products Inc.  
5510 Ambler Drive, Unit 10  
Mississauga, Ontario L4W 2V1

Tel: 905-238-6163  
1-800-889-5295  
Fax: 905-624-3161

info@clarkmedical.com  
www.clarkmedical.com

## About our Company...

Founded in 1987, Clark Medical Products is a leading manufacturer and distributor of innovative home and institutional medical products and we have been promoting active lifestyles and recovery for the elderly, infirm and physically challenged.

Clark Medical has manufacturing facilities in Canada, and distributes throughout North America and around the world through dedicated professional healthcare providers and sales organizations.

Our goal and focus is to provide quality bathroom safety products and patient lifting equipment to individuals who desire independence, mobility and safety to accommodate their bathroom needs that will improve their quality of life.

Our lift products comply with Zero Tolerance Lift Policies currently in place at hospitals, nursing homes, and assisted living facilities, while promoting safe work environments for Caregivers, Nurses, and other healthcare professionals.

Clark Medical employees are committed to provide superior customer service and exceptional product quality, all at competitive pricing and the highest of quality standards and we will continuously strive to improve and expand our existing product lines.

Should you have any questions or comments please do not hesitate to contact us by phone or by email. You can also visit us at our website at [www.clarkmedical.com](http://www.clarkmedical.com) to view our complete product line, obtain product information, specifications and pricing, and downloadable information sheets, brochures, and forms.

At Clark Medical, we provide the lift in your life...

# CLARKMEDICAL

PRODUCTS INC.

# BATHROOM SAFETY

## SELECTED FEATURE PRODUCTS



### BATH BOARD

- Width adjusts to attach securely to most bathtubs.
- Built in soap holder
- Rubber covered clamps resist slipping and protect surfaces from scratching
- No tools required, easy to assemble
- Safety handle sold separately
- Adjusts from 17-3/4" to 28"
- Holds up to 250 lbs.



### TUB GRAB BAR

- Made of 1" powder coated steel tubing
- Rubber contact points
- Clamp adjusts from 3" to 7"
- Dimensions are 12" high by 6" wide



### 3 IN 1 ALUMINUM SHOWER CHAIR

- Can be used as indoor wheelchair & commode chair
- Available in 24" spoke rear wheel and 5" plastic wheel
- Plastic seat easy to clean, 45.7 cm in width
- Flipback armrest and moveable footrest for storage
- Anatomical soft pad seat also available



### DROP-ARM & FOLDING COMMODE

- |  |  |
|--|--|
| <b>DROP ARM COMMODE</b>                      | <b>FOLDING COMMODE</b>                 |
| • Push-button arm release for easy transfers | • Ideal for travel                     |
| • Soft foam handles                          | • Waterfall armrests                   |
| • Comes in white & chrome                    | • Seat adjustable from 16" to 20"      |
| • Overall width of 21-3/4"                   | • Width of 20-1/2", folded width of 6" |
| • Holds up to 300 lbs.                       | • Holds up to 300 lbs.                 |



### DELUXE TRANSFER BENCH WITH BACK

- Height adjusts from 32" to 36"
- Anodized aluminum frame
- Holds up to 300 lbs.



### ADJUSTABLE BATH BENCH W/ HANDLE

- Safety handle for support and balance
- Handle attaches to either side
- Large, comfortable seat
- Multiple drainage holes
- No-skid rubber tips





## Features

- Power operated seat mechanism gently lifts and lowers up to 300 lbs.
- Portable - can be used as a bedside commode or over an existing toilet
- Seat raises to a maximum height of 34-3/4" from floor for an 18" bowl height
- Reduces possible back injuries to Caregivers
- Battery operated
- User is in full control at all times
- Fits over existing standard bowl height (14")
- Easily folds for travel and fits most vehicles
- Padded back and armrests for comfort
- Metal construction for strength and durability
- PAPI-LIFT commode chair may qualify for third party reimbursement
- Rises approximately 1" per second



## Options

- Travel case
- Joystick control
- Casters (on 18" height only)
- 18" bowl height (custom order)

## Advantages of Using the PAPI-LIFT

- Eliminates the need for raised toilet seats, toilevators, and grab bars
- Your feet are always touching the floor
- Reduces the need for caregiver or family assistance

## Specifications

CAPACITY:	300 lbs	CONSTRUCTION:	Heavy gauge steel, powder coated white.
POWER:	12 Volt Rechargeable Battery	DIMENSIONS:	39" x 23" x 22"
BATTERY CHARGER:	120 Volt	FOLDED:	39" x 23" x 9"
CONTROL:	Rocker Switch (standard) Joystick (option)	WARRANTY:	1 Year warranty on power system components, 30 days on battery. Lifetime warranty on frame.
HEIGHT:	39 inches		
WEIGHT:	70 pounds		

## Installation

**For Bedroom Use:**  
Slide in the commode pail. PAPI-LIFT is now ready to use.

**For Bathroom Use:**  
Remove existing toilet seat from bowl. Level unit over toilet bowl. Align holes in mounting plate with holes in bowl. Install bolts provided. The PAPI-LIFT is now ready to operate.

## Operation

Operated by pushing lightly on rocker switch in arm. Unit will raise or lower to and from the toilet seat. May be stopped at any time by releasing switch.

The CLARK PAPI-LIFT power operated commode chair will provide assistance in privacy for people who require help to have independent use of the toilet. PAPI-LIFT can be used as a bedside commode or over an existing toilet. A simple hand movement is all that is required to lower you to the toilet bowl or commode pail and safely return you to a standing position. PAPI-LIFT power operated commode chairs are ideal for home use, nursing homes, assisted living homes and hospitals, and can be used in the bathroom or bedroom.

## Restores Independence & Increases Confidence

The PAPI-LIFT commode chair is ideal for people who have Arthritis, post operative conditions, hip and knee flexion restrictions, muscle loss in their legs, Muscular Dystrophy, Multiple Sclerosis, Post Polio, Hemiplegia, Stroke, and other disabling conditions.

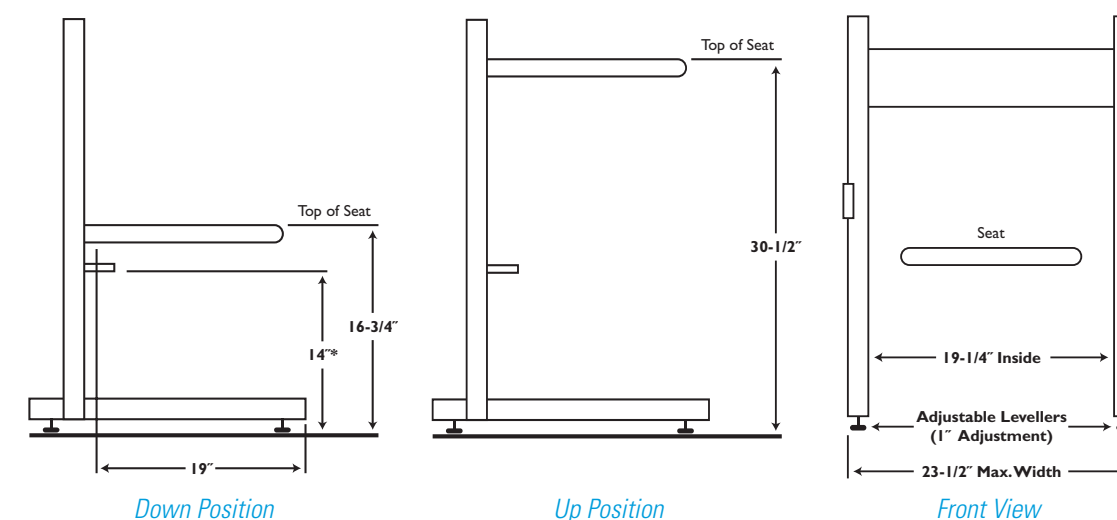
## Kind Words From PAPI-LIFT Users

*Your PAPI-LIFT has restored my independence, privacy, dignity and self-reliance as it has enabled me to rise from the toilet without assistance.*

*Diana Lynn, Mission Viejo, CA*

*...when using the toilet I have had to rely on others for help. Needless to say it's degrading and depressing. The PAPI-LIFT is an answer to my prayers.*

*Yvonne Hengesbaugh, Northville MI*



Folded position with castors for easy handling and storage

\*Note: Standard model as shown to suit 14" bowl.  
For 18" high bowl add extension feet (Part number 6037).  
Maximum height is now 34-3/4"

PAPI-LIFT® your personal assistant to privacy & independence



The **CLARK VALETTE** provides a unique personal assistance to privacy and independence for people who require help to use the toilet. A simple hand movement of the joystick is all that is required to lower you to the toilet bowl height and safely return you to a standing position.

## ASSISTING PEOPLE TO GREATER INDEPENDENCE AND CONFIDENCE

The **CLARK VALETTE** is ideal for people who have Arthritis, post operative conditions, hip and knee flexion restrictions, muscle loss in their legs, Muscular Dystrophy, Multiple Sclerosis, Post Polio, Hemiplegia, Stroke, and other disabling conditions.

### Kind Words From VALETTE Users

*The VALETTE has enabled me to stand up easily without any strain on my shoulders.*  
Judy Hotchkiss, Bend, OR

*The VALETTE has given me personal freedom and peace of mind when I am alone in my home. It's sturdy, secure and comfortable, and IT WORKS!*  
Richard Shlakman, Dallas TX

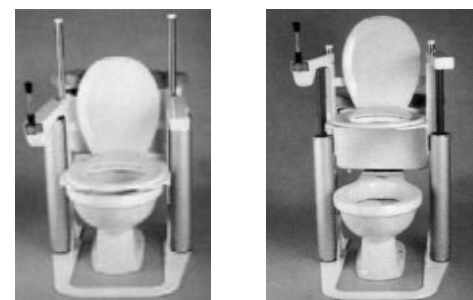
*It (the VALETTE) has been a life saver for me since I cannot raise from sitting to a standing position.*  
Sharon Turner, Marion IL

*The VALETTE has been a "gift from heaven".*  
Terry Campbell, Victoria B.C.



### Features

- Power operated seat mechanism gently lifts and lowers up to 300 lbs.
- Swing out arms for side transfers
- Reduces possible back injuries to Caregivers
- Seat raises to 33-1/2" from floor
- Extra height makes it suitable for individuals over 6 ft. tall
- Water powered, no batteries to replace
- User is in full control at all times
- Fits over existing bowl height
- Heavy gauge steel and aluminum construction for strength and durability
- May qualify for third party reimbursement
- Rises approximately 1" per second



### Options

- 16" Width
- 18" Bowl Height
- Restraint bar
- Splash guard

### Advantages of Using Powered Seat

- Eliminates the need for raised toilet seats, toilevators, and grab bars
- Your feet are always touching the floor
- Eliminates the need for caregiver or family assistance

### Specifications

CAPACITY:	300 lbs
POWER:	Household water pressure (min. 40 psi)
CONTROL:	Joystick
HEIGHT:	37 inches
WEIGHT:	100 lbs.

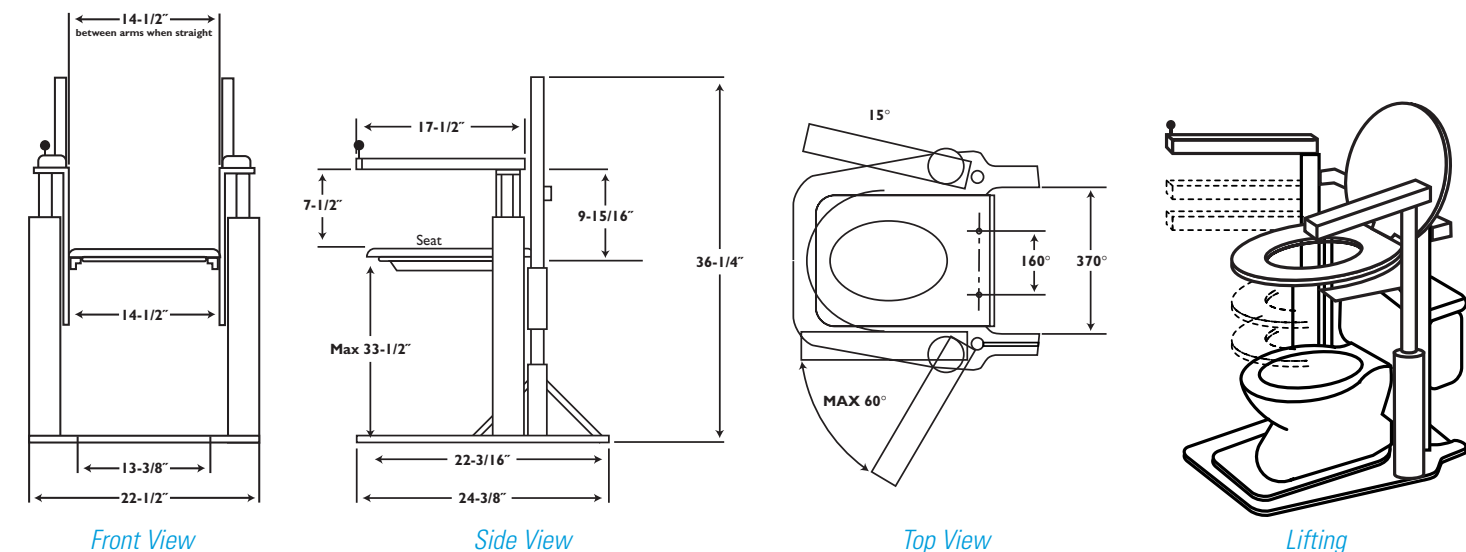
CONSTRUCTION:	Heavy gauge steel and aluminum, zinc plated base, powder coated white, PVC
DIMENSIONS:	36-1/4" X 22-1/2" X 24-3/8"
WARRANTY:	1 Year limited warranty on all parts. Lifetime warranty on frame.

### Installation

The **Valette** is delivered fully assembled. Start the installation by removing the existing toilet seat from bowl. Install the water pressure regulator on the water line to the toilet. Mount the **Valette** over the toilet bowl. Connect tubing on the **Valette** to water line. The **Valette** is now ready to operate.

### Operation

Operated by pushing lightly on joystick control on arm. Unit will raise or lower to and from the toilet seat only when pressure is exerted on joystick. May be stopped at any time by releasing the joy stick.



**VALETTE®** water powered toilet lift



# BATH LIFT

The CLARK Model 250  
water powered bath lift



The **CLARK BATH LIFT** makes bathing easier for individuals who have difficulty getting into and out of the bath tub. Our bath lift provides the assistance and freedom to allow the therapeutic benefits of bathing in privacy and comfort. A hot bath eases the aches and pains of arthritis and relaxes muscles and joints. The **CLARK BATH LIFT** is recommended by healthcare professionals around the world.

## Restores Independence & Increases Confidence

The **CLARK BATH LIFT** is ideal for people who have Arthritis, Muscular Dystrophy, Multiple Sclerosis, Quadriplegia, Hemiplegia, Paraplegia, Post Polio, Stroke, muscle loss in their legs, and other disabling conditions.

### Kind Words From CLARK BATH LIFT Users

*I have used the CLARK BATH LIFT for years and have found it to be a reliable product that has allowed me to bathe independent of assistance.*

*G. Voda, Chicago, IL*

*My ability to transfer from wheelchair to bath is greatly hindered. The transfer to and from the chair is easy with the swivel feature.*

*J. Speakman, Grover Hill, OH*

## Features

- Gently and safely lifts and lowers up to 300 lbs.
- Comfortable molded seat
- Water operated
- No electricity required
- Swivels out over the tub sill to facilitate an easy transfer
- User is in full control at all times
- Reduces possible back injuries to Caregivers
- Aluminum and PVC construction for strength and durability
- No need for expensive battery replacements
- Lowers to 2" from the base of tub
- Independent swing up arms
- Ultra lightweight and modular design
- May qualify for third party reimbursement
- Rises approximately 1" per second

## Options

- Choice of swing up arms or no arms
- Choice of control valve on top of cylinder or left or right arm
- 21" or 23" cylinder height assembly for deeper tubs
- Stabilizer Kit (to prevent tilting)
- Tub Spout Diverter
- Child or Adult Head Rest

## Advantages of Water Powered Bath Lifts

- Safe. No electricity is required.
- No costly batteries to replace.
- Easy to clean seat.
- More hygienic than cloth covered bath lift seats.
- Eliminates the need for caregiver or family assistance.

## Specifications

CAPACITY:	300 lbs
POWER:	Household water pressure (min. 30 psi)
CONTROL:	Brass lever control valve
LIFT HEIGHT:	18" standard, Optional 21" or 23"
WEIGHT:	22-1/2 lbs.
SEAT:	Width 17" and Depth 16"

## Installation

Place base assembly into tub. Place seat assembly piston tube into base bushing. Install shower diverter. Connect water supply hose from shower diverter to control valve. The **Clark Bath Lift** is now ready to use.

## Operation

Turn on water to preferred bath temperature. Adjust flow of water through diverter valve to either the bath tub or the bath lift. Turn control valve to raise the bath lift to up position. Swivel the bath chair out over the tub sill to facilitate transfer from standing position, shower chair, or wheelchair. Swivel the chair back into the bath tub. Lower the bath chair by operating the control valve lever. (Lever is mounted on arm or cylinder top, depending on option selected.) May be stopped at any time by centering control valve.

CONSTRUCTION:	Aluminum and PVC, powder coated white
DIMENSIONS:	32" X 21" X 22"
WARRANTY:	2 Year limited warranty on all parts except on rubber components. Lifetime warranty on frame.

# WATER POWERED POOL & TUB LIFTS



Our best selling pool lift for most applications, the Model IGAT-180 is user operable. The 180° turn allows the greatest access from the deck for the user and any assistants. Side-by-side transfers are easy, the footrest flips up and the mounting arm is under the seat, allowing unobstructed transfer. Seat rotates forward into pool, backwards exiting. Standard seat has right arm only. Flip-up outer arm is an available option. (Available in Canada only)



# SHOWER ACCESSORIES

## PERSONAL HAND HELD SHOWERS

Clark Medical's hand held showers for therapeutic massage provides comfort and convenience for personal hygiene. The shower heads deliver a consistent flow of water creating an overall rhythmic body massage sensation, stimulating the entire body while aiding in muscle relaxation.

Clark Medical's shower heads provide a choice of normal or pulsating spray with an easy to use on/off switch. Some models come with a water saver attachment. All our kits come complete with mounting wall brackets and diverter valves as well as an 84" hose (108" hose also available). Our patented unique connector/wall bracket design locks the shower head in place to prevent unwanted movement and water spillage. No Tools necessary for assembly.



**#2200**  
Compact and light weight with a toggle on/off control.



**#2230**  
Attractive head with normal or pulsating spray and includes a water saver attachment.



**#2240**  
Small and versatile with a squeeze handle on/off control.



**#2270**  
Head comes with normal or pulsating spray with water saver attachment. Thumb control swivel on/off.

## ACCESSORIES

Clark Medical's hand held showers and accessories are designed for convenience and diversity. In combination with our unique 84" hose and locking connector, we enhance the use of the Clark Medical bath lifts, shower seats, shower chairs, and transfer benches. All components have threaded connections to suit individual needs allowing for various configurations.

Prod.#	Description	2200 Kit	2230 Kit	2240 Kit	2270 Kit
2104	Shower Head	●			
2110	Shower Head			●	
2106	Shower Head		●		
2109	Shower Head				●
2102	Shower Diverter	●	●	●	●
2103	On/Off Adapter		●		
2101	Wall Bracket	●	●		●
2107	Wall Bracket			●	
2105	84" Hose (Std.)	●	●	●	●
1019	108" Hose (Option)	●	●	●	●



#2101 - Wall Bracket



#2102 - 2 Way Shower Diverter



#2112 - Swivel Wall Bracket



#2105 - 84" Reinforced Hose



#2113 - Tub Spout Diverter



#2103 - On/Off Adapter



#2119 - 2 Way Shower Diverter



#2111 - Swivel Connector for Glide Bar



#2250 - 21" Glide Bar with Swivel Connector

## ELEVATING OFFICE CHAIR

The **CLARK ELEVATING OFFICE CHAIR** provides independent access to a standard desk or table. It raises the chair seat to the users standing level and lowers the person to a normal sitting position.

### Rise with Independence & Comfort

The **CLARK ELEVATING OFFICE CHAIR** is ideal for people who have Arthritis, Muscular Dystrophy, Multiple Sclerosis, Post Polio, Hemiplegia, Stroke and other disabling conditions.

### Features

- Gently and safely lifts and lowers up to 300 lbs.
- Allows user to return to work
- Battery operated
- Castors permit easy movement along floor
- Automatic braking system when lift engaged
- Metal construction for strength and durability
- Rises approximately 1" per second



### Options & Specifications

- Ergonomic Chair comes in choice of colours
  - We can custom mount most standard office or executive leather chairs
- |           |               |               |   |
|-----------|---------------|---------------|---|
| CAPACITY: | 300 lbs       | WEIGHT:       | 110 lbs.  |
| POWER:    | 24V Battery   | DIMENSIONS:   | 39" X 23" X 24" (without chair)                                   |
| CHARGER:  | 120 Volts     | CONSTRUCTION: | Heavy gauge steel and PVC   |
| CONTROL:  | Rocker switch | WARRANTY:     | 1 Year limited warranty on system components. 30 days on battery. |
| HEIGHT:   | 18" to 36"    |               |   |

## THERADAPT®

We are proud to be the exclusive Canadian Distributor of the THERADAPT® Products, makers of innovative pediatric therapeutic and recreational products. These high quality products have rugged durability and improve the quality of life for its users. THERADAPT® products are available for infants, toddlers, preschoolers, primary, and intermediate children. Our range of products are suitable for school, home, or gym environments.

